

DECLARAȚIA DE PERFORMANȚĂDoP Nr.: **MKT-1.1-200_ro**

- ✧ **Cod unic de identificare al produsului-tip:** **Bolțuri ancore B**
- ✧ **Utilizare (utilizări) preconizată (preconizate):** Ancora mecanică pentru ancorarea în beton, a se vedea anexa / Annex B
- ✧ **Fabricant:** MKT Metall-Kunststoff-Technik GmbH & Co.KG
Auf dem Immel 2
67685 Weilerbach
- ✧ **Sistemul (sistemele) de evaluare și de verificare a constanței performanței:** 1
- ✧ **Documentul de evaluare european:** **EAD 330232-01-0601**
Evaluarea tehnică europeană: **ETA-01/0013, 17.09.2020**
Organismul de evaluare tehnică: **DIBt, Berlin**
Organism (organisme) notificat(e): **NB 2873 – Technische Universität Darmstadt**
- ✧ **Performanța (performanțe) declarată (declarate):**

Caracteristici esențiale	Performanță
Rezistență mecanică și stabilitate (BWR 1)	
Rezistență caracteristică la solicitări de tracțiune (efecte statice și cvasi-stactice)	Anexa/Annex B4, C1, C2
Rezistență caracteristică sub stres lateral (efecte statice și cvasi-stactice)	Anexa/Annex C3
Schimbare (efecte statice și cvasi-stactice)	Anexa/Annex B1, C4
Rezistența și deplasările caracteristice pentru performanța seismică categoria C1 + C2	nicio performanță determinată
Securitatea la incendiu (BWR 2)	
Comportamentul la foc	Clasa A1
Rezistență la foc	nicio performanță determinată

Performanța produsului identificat mai sus este în conformitate cu setul de performanțe declarate. Această declarație de performanță este eliberată în conformitate cu Regulamentul (UE) nr. 305/2011, pe răspunderea exclusivă a fabricantului identificat mai sus.

Semnată pentru și în numele fabricantului de către:



Stefan Weustenhagen
(Director general)
Weilerbach, 23.10.2020

p.p.



Dipl.-Ing. Detlef Bigalke
(Sef de dezvoltare a produselor)



Originalul acestei declarații de performanță a fost scris în limba germană. În cazul abaterilor în traducere, versiunea germană este validă.

Specifications of intended use

B / B fvz / B sh / B A2 / B A4 / B HCR		M6	M8	M10	M12	M16	M20
B	electroplated	✓	✓	✓	✓	✓	✓
B fvz	hot-dip galvanized	-	✓	✓	✓	✓	✓
B sh	sherardized	✓	✓	✓	✓	✓	✓
B A2	stainless steel	✓	✓	✓	✓	✓	✓
B A4	stainless steel	✓	✓	✓	✓	✓	✓
B HCR	high corrosion resistant steel	✓	✓	✓	✓	✓	✓
All versions	static or quasi-static action	✓					
	uncracked concrete	✓					

Base materials:

- Reinforced or unreinforced normal weight concrete according to EN 206:2013 + A1:2016
- Strength classes C20/25 to C50/60 according to EN 206:2013 + A1:2016

Use conditions (Environmental conditions):

- Structures subject to dry internal conditions (all materials)
- For all other conditions:

Anchor version	Use according to EN 1993-1-4:2015 corresponding to the corrosion resistance class CRC according to Annex A, Table A.2
B A2	CRC II
B A4	CRC III
B HCR	CRC V

Design:

- Anchorages are designed under the responsibility of an engineer experienced in anchorages and concrete work
- Verifiable calculation notes and drawings are prepared taking account of the loads to be anchored. The position of the anchor is indicated on the design drawings (e.g. position of the anchor relative to reinforcement or to supports, etc.)
- Anchorages are designed according to EN 1992-4:2018 or TR 055

Installation:

- Hole drilling by hammer drill bit or vacuum drill bit
- Use of the fastener only as supplied by the manufacturer without exchanging the components of the fastener

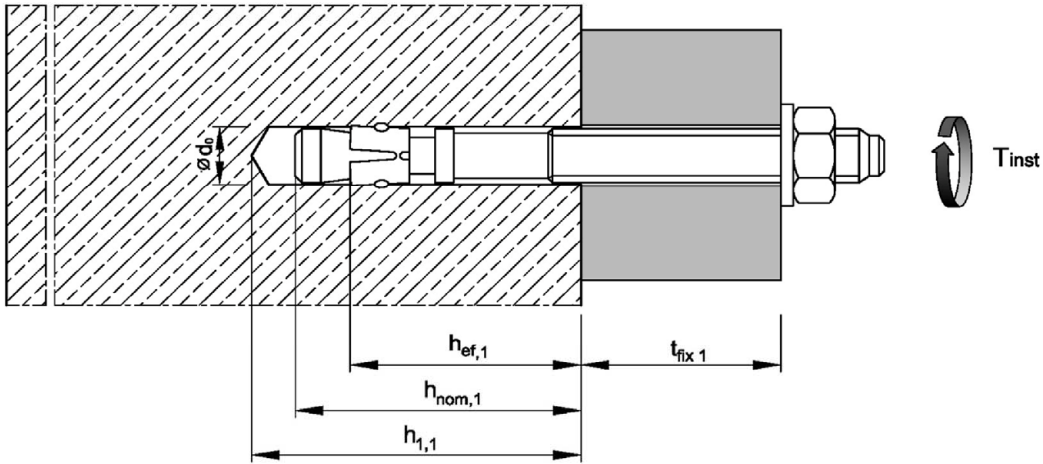
Wedge Anchor B / B fvz / B sh / B A2 / B A4 / B HCR

Intended use
Specifications

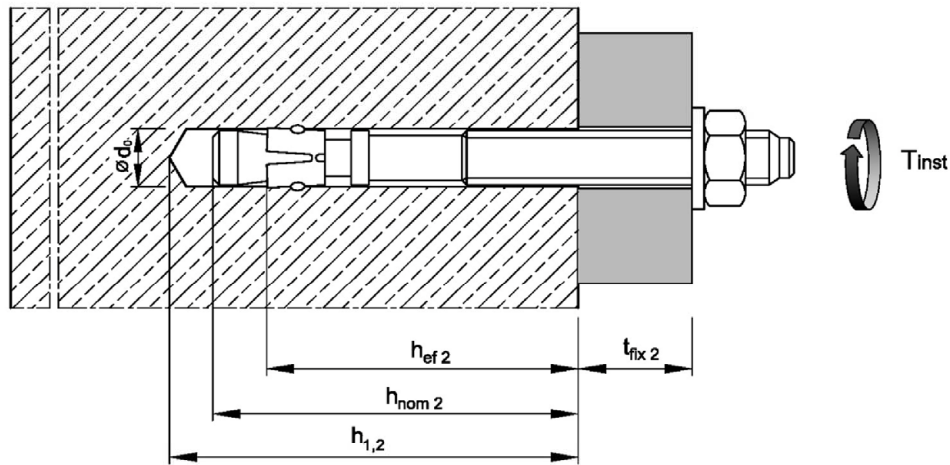
Annex B1

Installation parameters

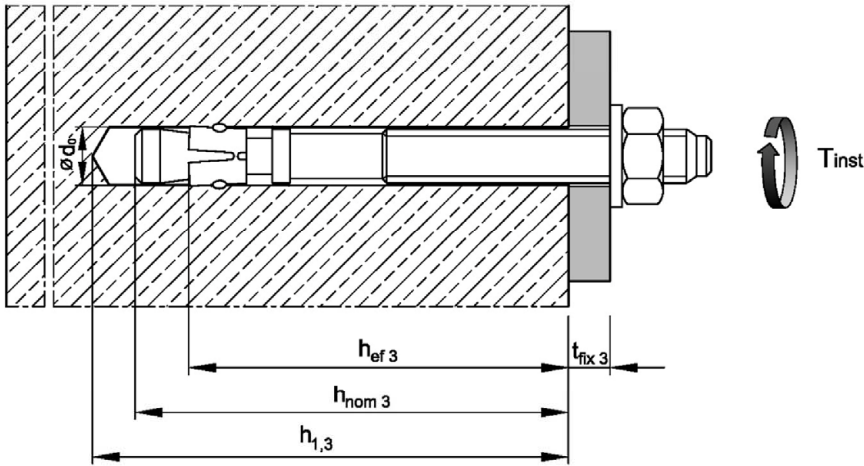
Effective embedment depths $h_{ef,1}$



Effective embedment depths $h_{ef,2}$



Effective embedment depths $h_{ef,3}$



Wedge Anchor B / B fvz / B sh / B A2 / B A4 / B HCR

Intended use
Installation parameters

Annex B2

Table B1: Installation parameters

Anchor size			M6	M8	M10	M12	M16	M20	
Nominal drill hole diameter	$d_0 =$	[mm]	6	8	10	12	16	20	
Cutting diameter of drill bit	$d_{cut} \leq$	[mm]	6,40	8,45	10,45	12,5	16,5	20,55	
Installation torque	B	$T_{inst} =$	[Nm]	8	15	30	50	100	200
	B fvz	$T_{inst} =$	[Nm]	-	15	30	40	90	120
	B sh	$T_{inst} =$	[Nm]	5	15	30	40	90	120
	B A2 / B A4 / B HCR	$T_{inst} =$	[Nm]	6	15	25	50	100	160
Diameter of clearance hole in the fixture	$d_f \leq$	[mm]	7	9	12	14	18	22	
Embedment depth $h_{ef,1}$									
Effective embedment depth	$h_{ef,1} \geq$	[mm]	30	35	42	50	64	78	
Depth of drill hole	$h_{1,1} \geq$	[mm]	45	55	65	75	95	110	
Embedment depth	$h_{nom,1} \geq$	[mm]	39	47	56	67	84	99	
Embedment depth $h_{ef,2}$									
Effective embedment depth	$h_{ef,2} \geq$	[mm]	40	44	48	65	82 (80) ¹⁾	100	
Depth of drill hole	$h_{1,2} \geq$	[mm]	55	65	70	90	110	130	
Embedment depth	$h_{nom,2} \geq$	[mm]	49	56	62	82	102	121	
Embedment depth $h_{ef,3}$									
Effective embedment depth	$h_{ef,3} \geq$	[mm]	60	70	80	100	120	115	
Depth of drill hole	$h_{1,3} \geq$	[mm]	75	91	102	125	148	145	
Embedment depth	$h_{nom,3} \geq$	[mm]	69	82	94	117	140	136	

¹⁾ Anchor version B A2 / B A4 / B HCR

Wedge Anchor B / B fvz / B sh / B A2 / B A4 / B HCR

Intended use
Installation data

Annex B3

Table B2: Minimum spacings and edge distances for B / B fvz¹⁾ / B sh

Anchor size			M6	M8	M10	M12	M16	M20
Embedment depth $h_{ef,1}$								
Minimum member thickness	h_{min}	[mm]	80	80	100	100	130	160
Minimum spacing	s_{min}	[mm]	35	40	55	100	100	140
Minimum edge distance	c_{min}	[mm]	40	45	65	100	100	140
Embedment depth $h_{ef,2}$								
Minimum member thickness	h_{min}	[mm]	100	100	100	130	170	200
Minimum spacing	s_{min}	[mm]	35	40	55	75	90	105
Minimum edge distance	c_{min}	[mm]	40	45	65	90	105	125
Embedment depth $h_{ef,3}$								
Minimum member thickness	h_{min}	[mm]	120	126	132	165	208	215
Minimum spacing	s_{min}	[mm]	35	40	55	75	90	105
Minimum edge distance	c_{min}	[mm]	40	45	65	90	105	125

¹⁾ Anchor version B fvz: M8-M20

Table B3: Minimum spacings and edge distances for B A2 / B A4 / B HCR

Anchor size			M6	M8	M10	M12	M16	M20
Embedment depth $h_{ef,1}$								
Minimum member thickness	h_{min}	[mm]	80	80	100	100	130	160
Minimum spacing	s_{min}	[mm]	35	60	55	100	110	140
Minimum edge distance	c_{min}	[mm]	40	60	65	100	110	140
Embedment depth $h_{ef,2}$								
Minimum member thickness	h_{min}	[mm]	100	100	100	130	160	200
Minimum spacing	s_{min}	[mm]	35	35	45	60	80	100
	for $c \geq$	[mm]	40	65	70	100	120	150
Minimum edge distance	c_{min}	[mm]	35	45	55	70	80	100
	for $s \geq$	[mm]	60	110	80	100	140	180
Embedment depth $h_{ef,3}$								
Minimum member thickness	h_{min}	[mm]	120	126	132	165	200	215
Minimum spacing	s_{min}	[mm]	35	35	45	60	80	100
	for $c \geq$	[mm]	40	65	70	100	120	150
Minimum edge distance	c_{min}	[mm]	35	45	55	70	80	100
	for $s \geq$	[mm]	60	110	80	100	140	180

Intermediate values by linear interpolation

Wedge Anchor B / B fvz / B sh / B A2 / B A4 / B HCR

Intended use
Minimum spacings and edge distances

Annex B4

Installation instructions

1		<p>Drill hole perpendicular to concrete surface, positioning of the drill holes without damaging the reinforcement. If using a vacuum drill bit, proceed with step 3.</p>
2		<p>Blow out dust. Alternatively, vacuum clean down to the bottom of the hole.</p>
3		<p>Drive in anchor, such that the selected embedment depth is met.</p>
4		<p>Apply installation torque T_{inst} as specified in Table B1.</p>

Wedge Anchor B / B fvz / B sh / B A2 / B A4 / B HCR

Intended use
Installation instructions

Annex B5

Table C1: Characteristic values for tension loads for B / B fvz¹⁾ / B sh

Anchor size				M6	M8	M10	M12	M16	M20
Installation factor		γ_{inst}	[-]	1,0					
Steel failure									
Characteristic resistance		$N_{Rk,s}$	[kN]	8,7	15,3	26	35	65	107
Partial factor		γ_{Ms}	[-]	1,5				1,6	
Pull-out									
Characteristic resistance in uncracked concrete C20/25	for $h_{ef,1}$	$N_{Rk,p}$	[kN]	6,5 ²⁾	10,2 ²⁾	13,4	17,4	25,2	33,9
	for $h_{ef,2}$	$N_{Rk,p}$	[kN]	10	13	16,4	25,8	36,5	49,2
	for $h_{ef,3}$	$N_{Rk,p}$	[kN]	10	13	16,4	26	40	55
Increasing factor for $N_{Rk,p}$		ψ_C	[-]	$\left(\frac{f_{ck}}{20}\right)^{0,5}$			$\left(\frac{f_{ck}}{20}\right)^{0,29}$	$\left(\frac{f_{ck}}{20}\right)^{0,33}$	$\left(\frac{f_{ck}}{20}\right)^{0,5}$
Splitting									
Characteristic resistance in uncracked concrete C20/25		$N^0_{Rk,sp}$	[kN]	min [$N_{Rk,p}$; $N^0_{Rk,c}$ ³⁾]					
Embedment depth $h_{ef,1}$									
Spacing		$s_{cr,sp}$	[mm]	180	210	230	240	320	400
Edge distance		$c_{cr,sp}$	[mm]	90	105	115	120	160	200
Embedment depth $h_{ef,2}$									
Spacing		$s_{cr,sp}$	[mm]	160	220	240	330	410	500
Edge distance		$c_{cr,sp}$	[mm]	80	110	120	165	205	250
Embedment depth $h_{ef,3}$									
Spacing		$s_{cr,sp}$	[mm]	360	240	480	600	720	690
Edge distance		$c_{cr,sp}$	[mm]	180	210	240	300	360	345
Concrete cone failure									
Effective embedment depth	for $h_{ef,1} \geq$	[mm]	30 ²⁾	35 ²⁾	42	50	64	78	
	for $h_{ef,2} \geq$	[mm]	40	44	48	65	82	100	
	for $h_{ef,3} \geq$	[mm]	60	70	80	100	120	115	
Spacing		$s_{cr,N}$	[mm]	3 $h_{ef(1,2,3)}$					
Edge distance		$c_{cr,N}$	[mm]	1,5 $h_{ef(1,2,3)}$					
Factor	uncracked concrete	$k_{ucr,N}$	[-]	11,0					
	cracked concrete	$k_{cr,N}$	[-]	No performance assessed					

¹⁾ Anchor version B fvz: M8-M20

²⁾ Restricted to the use of structural components with $h_{ef} < 40$ mm which are statically indeterminate and subject to internal exposure conditions only

³⁾ $N^0_{Rk,c}$ according to EN 1992-4:2018

Wedge Anchor B / B fvz / B sh / B A2 / B A4 / B HCR

Performance
Characteristic values for tension loads for B / B fvz / B sh

Annex C1

Table C2: Characteristic values for tension loads for B A2 / B A4 / B HCR

Anchor size			M6	M8	M10	M12	M16	M20	
Installation factor	γ_{inst}	[-]	1,0						
Steel failure									
Characteristic resistance	$N_{Rk,s}$	[kN]	10	18	30	44	88	134	
Partial factor	γ_{Ms}	[-]	1,50						1,68
Pull-out									
Characteristic resistance in uncracked concrete C20/25	for $h_{ef,1}$	$N_{Rk,p}$	[kN]	6,5 ¹⁾	9 ¹⁾	12	17,4	25,2	33,9
	for $h_{ef,2}$	$N_{Rk,p}$	[kN]	8	15	16,4	25	35,2	49,2
	for $h_{ef,3}$	$N_{Rk,p}$	[kN]	8	15	16,4	25	42	60
Increasing factor for $N_{Rk,p}$	ψ_C	[-]	$\left(\frac{f_{ck}}{20}\right)^{0,5}$						
Splitting									
Characteristic resistance in uncracked concrete C20/25	$N^0_{Rk,sp}$	[kN]	min [$N_{Rk,p}$; N^0_{Rk,c^2}]						
Embedment depth $h_{ef,1}$									
Spacing	$s_{cr,sp}$	[mm]	180	180	180	180	180	180	
Edge distance	$c_{cr,sp}$	[mm]	90	90	90	90	90	90	
Embedment depth $h_{ef,2}$									
The higher one of the decisive resistances of Case 1 and Case 2 is applicable									
Case 1									
Characteristic resistance in uncracked concrete C20/25	$N^0_{Rk,sp}$	[kN]	6	9	12	20	30	40	
Spacing	$s_{cr,sp}$	[mm]	3 h_{ef}						
Edge distance	$c_{cr,sp}$	[mm]	1,5 h_{ef}						
Increasing factor for $N^0_{Rk,sp}$	ψ_C	[-]	$\left(\frac{f_{ck}}{20}\right)^{0,5}$						
Case 2									
Spacing	$s_{cr,sp}$	[mm]	160	220	240	340	410	560	
Edge distance	$c_{cr,sp}$	[mm]	80	110	120	170	205	280	
Embedment depth $h_{ef,3}$									
Spacing	$s_{cr,sp}$	[mm]	360	240	480	600	720	690	
Edge distance	$c_{cr,sp}$	[mm]	180	210	240	300	360	345	
Concrete cone failure									
Effective Embedment depth	for $h_{ef,1} \geq$	[mm]	30 ¹⁾	35 ¹⁾	42	50	64	78	
	for $h_{ef,2} \geq$	[mm]	40	44	48	65	80	100	
	for $h_{ef,3} \geq$	[mm]	60	70	80	100	120	115	
Spacing	$s_{cr,N}$	[mm]	3 h_{ef}						
Edge distance	$c_{cr,N}$	[mm]	1,5 h_{ef}						
Factor	uncracked concrete	$k_{ucr,N}$	[-]	11,0					
	cracked concrete	$k_{cr,N}$	[-]	No performance assessed					

¹⁾ Restricted to the use of structural components with $h_{ef} < 40\text{mm}$ which are statically indeterminate and subject to internal exposure conditions only

²⁾ $N^0_{Rk,c}$ according to EN 1992-4:2018

Wedge Anchor B / B fvz / B sh / B A2 / B A4 / B HCR

Performance
Characteristic values for tension loads for B A2 / B A4 / B HCR

Annex C2

Table C3: Characteristic values for shear loads

Anchor size				M6	M8	M10	M12	M16	M20
Installation factor		γ_{inst}	[-]	1,0					
Steel failure without lever arm									
Characteristic resistance	B / B fvz ¹⁾ / B sh	$V^{0}_{Rk,s}$	[kN]	5	11	17	25	44	69
	B A2 / B A4 / B HCR	$V^{0}_{Rk,s}$	[kN]	7	12	19	27	50	86
Ductility factor		k_7	[-]	1,0					
Steel failure with lever arm									
Characteristic bending resistance	B / B fvz ¹⁾ / B sh	$M^{0}_{Rk,s}$	[Nm]	9	23	45	78	186	363
	B A2 / B A4 / B HCR	$M^{0}_{Rk,s}$	[Nm]	10	24	49	85	199	454
Partial factor for $V^{0}_{Rk,s}$ and $M^{0}_{Rk,s}$	B / B fvz ¹⁾ / B sh	γ_{Ms}	[-]	1,25				1,33	
	B A2 / B A4 / B HCR	γ_{Ms}	[-]	1,25				1,4	
Concrete pry-out failure									
Factor for h_{ef}	B / B fvz ¹⁾ / B sh	k_8	[-]	1,0	2,3	2,5	2,9	2,8	3,1
	B A2 / B A4 / B HCR	k_8	[-]	1,0	2,3	2,8	2,8	3,0	3,3
Concrete edge failure									
Effective length of anchor in shear loading	for $h_{ef,1}$	l_f	[mm]	30 ²⁾	35 ²⁾	42	50	64	78
	for $h_{ef,2}$	l_f	[mm]	40	44	48	65	82 (80) ³⁾	100
	for $h_{ef,3}$	l_f	[mm]	60	70	80	100	120	115
Outside diameter of anchor		d_{nom}	[mm]	6	8	10	12	16	20

¹⁾ Anchor version B fvz: M8-M20

²⁾ Restricted to the use of structural components which are statically indeterminate and subject to internal exposure conditions only

³⁾ Anchor version B A2 / B A4 / B HCR

Wedge Anchor B / B fvz / B sh / B A2 / B A4 / B HCR
Performance
 Characteristic values for **shear loads**
Annex C3

Table C5: Displacements under tension loads

Anchor size			M6	M8	M10	M12	M16	M20
Embedment depth $h_{ef,1}$								
B / B fvz¹⁾ / B sh								
Tension load	N	[kN]	2,9	5,0	6,5	8,5	12,3	16,6
Displacement	δ_{N0}	[mm]	0,3	0,4				
	$\delta_{N\infty}$	[mm]	0,6	1,8				
B A2 / B A4 / B HCR								
Tension load	N	[kN]	2,9	4,3	5,7	8,5	12,3	16,6
Displacement	δ_{N0}	[mm]	0,4	0,7	0,4	0,4	0,6	1,5
	$\delta_{N\infty}$	[mm]	1,3					2,9
Embedment depth $h_{ef,2}$ and $h_{ef,3}$								
B / B fvz¹⁾ / B sh								
Tension load	N	[kN]	4,3	5,8	7,6	11,9	16,7	23,8
Displacement	δ_{N0}	[mm]	0,4	0,5				
	$\delta_{N\infty}$	[mm]	0,7	2,3				
B A2 / B A4 / B HCR								
Tension load	N	[kN]	3,6	5,7	7,6	11,9	17,2	24,0
Displacement	δ_{N0}	[mm]	0,7	0,9	0,5	0,6	0,9	2,1
	$\delta_{N\infty}$	[mm]	1,8					4,2

¹⁾ Anchor version B fvz: M8-M20

Table C6: Displacements under shear loads

Anchor size			M6	M8	M10	M12	M16	M20
B / B fvz¹⁾ / B sh								
Shear load	V	[kN]	2,9	6,3	9,7	14,3	23,6	37,0
Displacement	δ_{V0}	[mm]	1,2	1,5	1,6	2,6	3,1	4,4
	$\delta_{V\infty}$	[mm]	2,4	2,2	2,4	3,9	4,6	6,6
B A2 / B A4 / B HCR								
Shear load	V	[kN]	4,0	6,9	10,9	15,4	28,6	43,7
Displacement	δ_{V0}	[mm]	1,1	2,0	1,2	2,0	2,2	2,1
	$\delta_{V\infty}$	[mm]	1,7	3,0	1,8	3,0	3,3	3,2

¹⁾ Anchor version B fvz: M8-M20

Wedge Anchor B / B fvz / B sh / B A2 / B A4 / B HCR

**Performance
Displacements**

Annex C4