

VYHLÁSENIE O PARAMETROCH

DoP č.: MKT-1.2-300_sk

- ✧ **Jedinečný identifikačný kód typu výrobku:** MKT Wedge kotva B A4 a B HCR
- ✧ **Zamýšľané použitie/použitia:** Hmoždinky na použitie ako viacnásobné upevnenie nenosných systémov v betóne, viď príloha / Annex B
- ✧ **Výrobca:** MKT Metall-Kunststoff-Technik GmbH & Co.KG
Auf dem Immel 2
67685 Weilerbach
- ✧ **Systém(-y) posudzovania a overovania nemennosti parametrov:** 2+
- ✧ **Európsky hodnotiaci dokument:** ETAG 001-6
Európske technické posúdenie: ETA-11/0240, 07.05.2015
Orgán technického posudzovania: DIBt, Berlin
Notifikovaný(-é) subjekt(-y): NB 2873 – Technische Universität Darmstadt

✧ **Deklarované parametre:**

| Podstatné vlastnosti | Parametre |
|--|------------------|
| Mechanická odolnosť a stabilita (BWR 1) | |
| Charakteristické hodnoty | Príloha/Annex C1 |
| Bezpečnosť v prípade požiaru (BWR 2) | |
| Správanie pri požiari | Trieda A1 |
| Požiarne odolnosť | Príloha/Annex C2 |

Uvedené parametre výrobku sú v zhode so súborom deklarovateľných parametrov. Toto vyhlásenie o parametroch sa v súlade s nariadením (EÚ) č. 305/2011 vydáva na výhradnú zodpovednosť uvedeného výrobcu.

Podpísal(-a) za a v mene výrobcu:


Stefan Weustenhagen
(Generálny riaditeľ)

Weilerbach, 01.01.2021

p.p. 
Dipl.-Ing. Detlef Bigalke
(Vedúci vývoja produktov)



Originál tohto vyhlásenia o vykonaní bol napísaný v nemčine. V prípade odchýlok v preklade platí nemecká verzia.

Specifications of intended use

Anchorage subject to:

- static and quasi-static loads

Base materials:

- reinforced or unreinforced normal weight concrete according to EN 206-1:2000
- strength classes C12/15 to C50/60 according to EN 206-1:2000
- cracked and non-cracked concrete

| Use conditions (environmental conditions): | Effective anchorage depth |
|---|--|
| <ul style="list-style-type: none"> • Structures subject to dry internal conditions; (zinc plated steel, stainless steel or high corrosion resistant steel). | $h_{ef} \geq 30\text{mm}$ and $h_{ef,red} \geq 25\text{mm}$ |
| <ul style="list-style-type: none"> • Structures subject to permanently damp internal conditions, if no particular aggressive conditions exist; (stainless steel or high corrosion resistant steel). | $h_{ef} \geq 30\text{mm}$ and $h_{ef,red} \geq 25\text{mm}$ |
| <ul style="list-style-type: none"> • Structures subject to external atmospheric exposure including industrial and marine environment, if no particular aggressive conditions exist; (stainless steel or high corrosion resistant steel). | $h_{ef} \geq 30\text{mm}$ |
| <ul style="list-style-type: none"> • Structures subject to external atmospheric exposure and to permanently damp internal condition, if other particular aggressive conditions; (high corrosion resistant steel). | $h_{ef} \geq 30\text{mm}$ |

Note: Particular aggressive conditions are e.g. permanent, alternating immersion in seawater or the splash zone of seawater, chloride atmosphere of indoor pools or atmosphere with extreme chemical pollution (e.g. in desulphurization plants or road tunnels where de-icing materials are used.)

Design:

- Anchorages are designed under the responsibility of an engineer experienced in anchorages and concrete work.
- Verifiable calculation notes and drawings are prepared taking account of the loads to be anchored. The position of the anchor is indicated on the design drawings (e.g. position of the anchor relative to reinforcement or to supports, etc.).
- The design of the fixture is such that in case of excessive slip or failure of one anchor the load can be transmitted to neighbouring anchors.
- Anchorages under static or quasi-static actions for multiple use in non-structural applications are designed in accordance with:
 - ETAG 001, Annex C, Edition August 2010, design method C or
 - CEN/TS 1992-4: 2009, design method C
- Fasteners are only to be used for multiple use for non-structural application, according to ETAG 001 Part 6, Edition August 2010.
- Anchorages under fire exposure are designed in accordance with:
 - EOTA Technical Report TR 020, Edition May 2004 or
 - CEN/TS 1992-4: 2009, Annex D
 - It must be ensured that local spalling of the concrete cover does not occur.

Installation:

- Anchor installation carried out by appropriately qualified personnel and under the supervision of the person responsible for technical matters of the site,
- Anchor installation in accordance with the manufacturer's specifications and drawings and using the appropriate tools,
- Hammer drilling only,
- Anchor installation such that the effective setting depth is complied with. This compliance is ensured, if the admissible thickness of fixture is kept or the loop of Nail Anchor N-O rests on the concrete surface.

Nail Anchor N

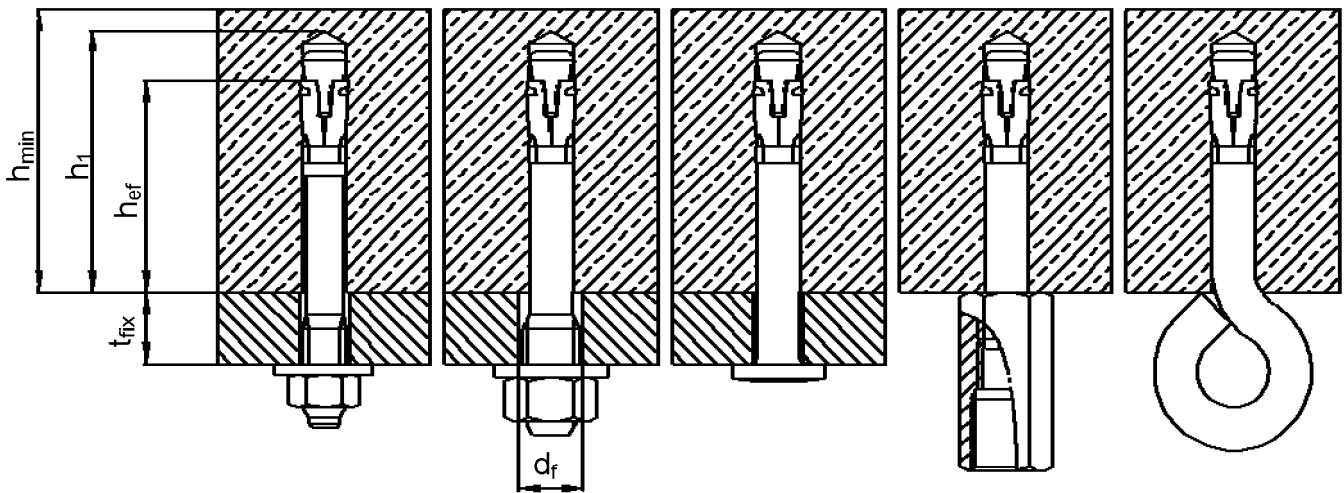
Intended use
Specifications

Annex B1

Table B1: Installation parameters

| Anchor type | | | N 6 N-K N-O | N 8 N-M | N 6 N-K N-O | N 8 N-M |
|---|-----------------|------|-------------------|------------|-------------------|------------|
| Effective anchorage depth | $h_{ef} \geq$ | [mm] | 25 ¹⁾ | | 30 | |
| Nominal drill hole diameter | d_0 | [mm] | 6 | 6 | 6 | 6 |
| Cutting diameter of drill bit | $d_{cut} \leq$ | [mm] | 6,40 | 6,40 | 6,40 | 6,40 |
| Depth of drill hole | $h_1 \geq$ | [mm] | 35 | 35 | 40 | 40 |
| Diameter of clearance hole in the fixture | $d_f \leq$ | [mm] | 7 | 9 | 7 | 9 |
| Maximum tightening torque (N 6 and N 8 only) | $T_{inst} \leq$ | [Nm] | 4 | 4 | 4 | 4 |
| Minimum member thickness | h_{min} | [mm] | 80 | 80 | 80 | 80 |

¹⁾ Internal use only



Nail Anchor N

Intended use
Installation parameters

Annex B2

Installation instructions

| | N 6 / N 8 | N-K | N-M | N-O |
|---|--|-----|--|-----|
| 1 | | | | |
| | Drill hole perpendicular to concrete surface. | | | |
| 2 | | | | |
| | Blow out dust. | | | |
| 3 | | - | | - |
| | Check position of nut. | | Check position of coupling nut. | |
| 4 | | | | |
| | Drive in anchor. | | | |
| 5 | | | | |
| | Max. tightening torque $T_{inst} \leq 4 \text{ Nm}$ may be applied by using torque wrench. | | - | |

Nail Anchor N

Intended use
Installation instructions

Annex B3

Table C1: Characteristic and design resistance for a **fixing point** ¹⁾, design method C

| Anchor types | | N 6 | N 8 N-K N-M | N-O | N 6 | N 8 N-K N-M | N-O |
|---|---|------|-------------------|---------------|-----|-------------------|---------------|
| Effective anchorage depth | $h_{ef} \geq$ [mm] | 25 | | | 30 | | |
| Partial safety factor for any direction | γ_M | 1,5 | | | | | |
| Optimized for maximum load | | | | | | | |
| Characteristic resistance C12/15 | F_{Rk} [kN] | 3,0 | 3,0 ⁴⁾ | 1,5 | 4,0 | 4,0 ⁴⁾ | 1,5 |
| Characteristic resistance C20/25 to C50/60 | | 4,5 | 4,5 ⁴⁾ | | 5,9 | 5,9 ⁴⁾ | |
| Design resistance C12/15 | F_{Rd} [kN] | 2,0 | 2,0 ⁴⁾ | 1,0 | 2,7 | 2,7 ⁴⁾ | 1,0 |
| Design resistance C20/25 to C50/60 | | 3,0 | 3,0 ⁴⁾ | | 3,9 | 3,9 ⁴⁾ | |
| Respective spacing between fixing points ^{1) 2)} | $\frac{S_{cr}}{\text{for } c_{cr} \geq}$ [mm] | 100 | | | | | |
| | | 200 | | | | | |
| Respective edge distance ²⁾ | $\frac{C_{cr}}{\text{for } s_{cr} \geq}$ [mm] | 100 | | | | | |
| | | 200 | | | | | |
| Optimized for minimum edge distance | | | | | | | |
| Characteristic resistance C12/15 | F_{Rk} [kN] | 1,5 | 1,5 ⁴⁾ | 1,5 | 2,0 | 2,0 ⁴⁾ | 1,5 |
| Characteristic resistance C20/25 to C50/60 | | 2,0 | 2,0 ⁴⁾ | | 2,5 | 2,5 ⁴⁾ | |
| Design resistance C12/15 | F_{Rd} [kN] | 1,0 | 1,0 ⁴⁾ | 1,0 | 1,3 | 1,3 ⁴⁾ | 1,0 |
| Design resistance C20/25 to C50/60 | | 1,3 | 1,3 ⁴⁾ | | 1,7 | 1,7 ⁴⁾ | |
| Respective spacing between fixing points ¹⁾ | $\frac{C_{cr}}{\text{for } s_{cr} \geq}$ [mm] | 50 | | | | | |
| | | 100 | | | | | |
| Shear load with lever arm | | | | | | | |
| Characteristic resistance, steel zinc plated | $M^0_{Rk,s}$ [Nm] | 9,2 | 12,7 | ³⁾ | 9,2 | 12,7 | ³⁾ |
| Characteristic resistance, stainless steel A4/HCR | | 9,2 | 13,5 | ³⁾ | 9,2 | 13,5 | ³⁾ |
| Partial safety factor | γ_{Ms} | 1,25 | | | | | |

¹⁾ A fixing point is defined as:

- Single anchor,
- Double anchor group with a minimum spacing s of $50 \text{ mm} \leq s < s_{cr}$ or
- Quadruple anchor group with a minimum spacing s of $50 \text{ mm} \leq s < s_{cr}$

If the spacing in a fixing point is greater than or equal to the respective spacing in this table, the characteristic resistances apply to every single anchor.

²⁾ Intermediate values can be linearly interpolated.

³⁾ Proof against failure due to shear load with lever arm is not required.

⁴⁾ When applying a shear load to anchor version N-M, shear load with lever arm must be proven.

Nail Anchor N

Performance
Characteristic and design resistance

Annex C1

Table C2: Characteristic resistance for a fixing point ¹⁾ under **fire exposure** in concrete C20/25 to C50/60, design method C

| Fire resistance class | | | N 6 N 8 | N-K | N-M ³⁾ | N-O | N 6 N 8 | N-K | N-M ³⁾ | N-O | |
|--|--|---------------|------------|-----|-------------------|-----|---------------|-----|-------------------|-----|---------------|
| | Effective anchorage depth | $h_{ef} \geq$ | [mm] | 25 | | | | 30 | | | |
| Load in any direction | | | | | | | | | | | |
| R 30 | Characteristic resistance, steel zinc plated | $F_{Rk,fi}$ | [kN] | 0,6 | 0,6 | 0,6 | 0,2 | 0,9 | 0,9 | 0,8 | - |
| R 60 | | | | 0,6 | 0,6 | 0,6 | 0,2 | 0,7 | 0,8 | 0,7 | - |
| R 90 | | | | 0,5 | 0,6 | 0,6 | 0,1 | 0,5 | 0,6 | 0,6 | - |
| R120 | | | | 0,4 | 0,5 | 0,5 | 0,1 | 0,4 | 0,5 | 0,6 | - |
| R 30 | Characteristic resistance, stainless steel A4 / HCR | $F_{Rk,fi}$ | [kN] | 0,6 | 0,6 | 0,6 | 0,2 | 0,9 | 0,9 | 0,8 | 0,2 |
| R 60 | | | | 0,6 | 0,6 | 0,6 | 0,2 | 0,9 | 0,9 | 0,7 | 0,2 |
| R 90 | | | | 0,5 | 0,6 | 0,6 | 0,1 | 0,9 | 0,9 | 0,6 | 0,1 |
| R120 | | | | 0,4 | 0,5 | 0,5 | 0,1 | 0,7 | 0,7 | 0,6 | 0,1 |
| R 30 – R 120 | Edge distance | $C_{cr,fi}$ | [mm] | 50 | | | | | | | |
| | Spacing | $S_{cr,fi}$ | [mm] | 100 | | | | | | | |
| Shear load with lever arm | | | | | | | | | | | |
| R 30 | Characteristic resistance, steel zinc plated | $M^0_{Rk,fi}$ | [Nm] | 0,7 | 1,0 | 0,7 | ²⁾ | 0,7 | 1,0 | 0,7 | - |
| R 60 | | | | 0,5 | 0,8 | 0,7 | ²⁾ | 0,5 | 0,8 | 0,7 | - |
| R 90 | | | | 0,4 | 0,5 | 0,6 | ²⁾ | 0,4 | 0,5 | 0,6 | - |
| R120 | | | | 0,3 | 0,4 | 0,5 | ²⁾ | 0,3 | 0,4 | 0,5 | - |
| R 30 | Characteristic resistance, stainless steel A4 / HCR | $M^0_{Rk,fi}$ | [Nm] | 1,4 | 2,1 | 0,7 | ²⁾ | 1,4 | 2,1 | 0,7 | ²⁾ |
| R 60 | | | | 1,1 | 1,5 | 0,7 | ²⁾ | 1,1 | 1,5 | 0,7 | ²⁾ |
| R 90 | | | | 0,7 | 1,0 | 0,6 | ²⁾ | 0,7 | 1,0 | 0,6 | ²⁾ |
| R120 | | | | 0,5 | 0,7 | 0,5 | ²⁾ | 0,5 | 0,7 | 0,5 | ²⁾ |
| If the fire attack is from more than one side, the edge distance shall be ≥ 300 mm. | | | | | | | | | | | |

¹⁾ A fixing point is defined as:

- Single anchor,
- Double anchor group with a minimum spacing s of $50 \text{ mm} \leq s < S_{cr,fi}$ or
- Quadruple anchor group with a minimum spacing s of $50 \text{ mm} \leq s < S_{cr,fi}$

If the spacing in a fixing point is greater than or equal to the respective spacing in this table, the characteristic resistances apply to every single anchor.

²⁾ Proof against failure due to shear load with lever arm is not required.

³⁾ Only in connection with threaded rods M8, M10 or M12 minimum strength class 5.8. When applying shear load to this anchor version, shear load with lever arm must be proven.

Nail Anchor N

Performance
Characteristic resistance under fire exposure

Annex C2