



...eine starke Verbindung

IZJAVA O LASTNOSTIH

DoP Št.: MKT-124 - sl


- ✧ **Enotna identifikacijska oznaka tipa proizvoda:** Težka tovorna sidra SZ
- ✧ **Predvidena uporaba:** Mehansko sidro za sidranje v kreiranem in neprepusten beton, glej Priloga/Annex B
- ✧ **Proizvajalec:** MKT Metall-Kunststoff-Technik GmbH & Co.KG
Auf dem Immel 2
67685 Weilerbach
- ✧ **Sistemi ocenjevanja in preverjanja nespremenljivosti lastnosti:** 1
- ✧ **Evropski ocenjevalni dokument:** EAD 330232-00-0601
Evropska tehnična ocena: ETA-02/0030, 10.07.2018
Organ za tehnično ocenjevanje: DIBt, Berlin
Priglašeni organi: NB 1343 – MPA, Darmstadt


✧ **Navedene lastnosti:**

Bistvene značilnosti	Lastnosti
Mehanska odpornost in stabilnost (BWR1)	
Značilni upori za statične in kvazi-statične obremenitve	Priloga/Annex C1 – C6
Značilni upori za kategorije potresne zmogljivosti C1 + C2	Priloga/Annex C7 – C8
Premiki	Priloga/Annex C10 – C11
Varnost pri požaru (BWR2)	
Ogenj vedenje	Razred A1
Požarna odpornost	Priloga/Annex C9

Lastnosti proizvoda, navedenega zgoraj, so v skladu z navedenimi lastnostmi. Za izdajo te izjave o lastnostih je v skladu z Uredbo (EU) št. 305/2011 odgovoren izključno proizvajalec, naveden zgoraj.

Podpisal za in v imenu proizvajalca:


Stefan Weustenhagen
(Generalni direktor)
Weilerbach, 10.07.2018

p.p. 
Dipl.-Ing. Detlef Bigalke
(Vodja razvoja izdelkov)



Izvirnik te izjave o uspehu je bil napisan v nemškem jeziku. V primeru odstopanj v prevodu je nemška različica veljavna.

Specification of intended use

Highload Anchor SZ, steel zinc plated	10/M6	12/M8	15/M10	18/M12	24/M16	24/ M16L	28/M20	32/M24
Static or quasi-static action	✓							
Seismic action (SZ-B and SZ-S)	-	C1 + C2						
Seismic action (SZ-SK)	-	C1 + C2				-		
Fire exposure	R 30 ... R 120							
Highload Anchor SZ, stainless steel A4	12/M8	15/M10	18/M12	24/M16				
Static or quasi-static action	✓							
Seismic action (SZ-B and SZ-S)	C1 + C2							
Seismic action (SZ-SK)	C1 + C2				-			
Fire exposure	R30 ... R120							

Base materials:

- Cracked and uncracked concrete
- Compacted, reinforced or unreinforced normal weight concrete (without fibers) according to EN 206:2013
- Strength classes C20/25 to C50/60 according to EN 206:2013

Use conditions (Environmental conditions):

- Structures subject to dry internal conditions (zinc plated steel or stainless steel).
- Structures subject to external atmospheric exposure (including industrial and marine environment) and to permanently damp internal conditions, if no particular aggressive conditions exist (stainless steel).

Note: Particular aggressive conditions are e.g. permanent, alternating immersion in seawater or the splash zone of seawater, chloride atmosphere of indoor pools or atmosphere with extreme chemical pollution (e.g. in desulphurization plants or road tunnels where de-icing materials are used.)

Design:

- Anchorages are designed under the responsibility of an engineer experienced in anchorages and concrete work.
- Verifiable calculation notes and drawings are prepared taking account of the loads to be anchored. The position of the fastener is indicated on the design drawings (e.g. position of the fastener relative to reinforcement or to supports, etc.).
- Anchorages under static or quasi-static actions, seismic actions and under fire exposure are designed in accordance with FprEN 1992-4:2016 and TR 055.

Installation:

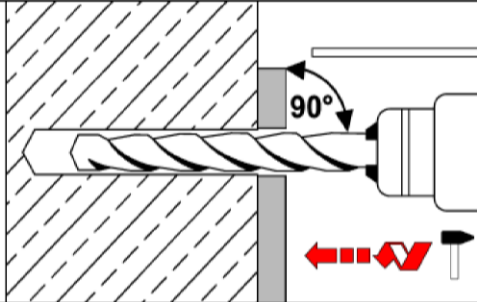
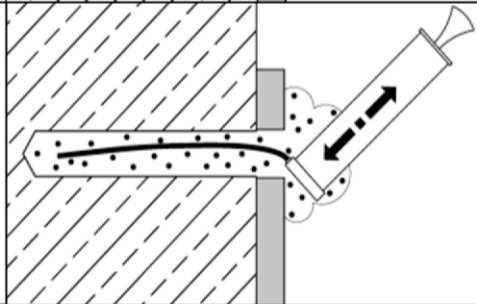
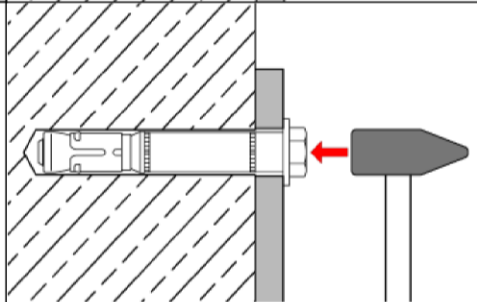
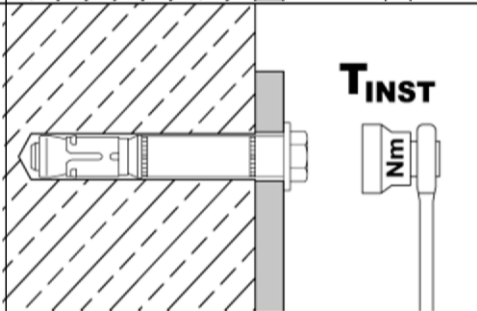
- Fastener installation carried out by appropriately qualified personnel and under the supervision of the person responsible for technical matters on site.
- In case of aborted hole: new drilling at a minimum distance away of twice the depth of the aborted hole or smaller distance if the aborted drill hole is filled with high strength mortar and if under shear or oblique tension load it is not in the direction of load application.
- Compliance with the effective anchorage depth. For fastenings with anchorage depths $h_{ef} > h_{ef,min}$ the usable thickness of fixture is reduced by $h_{ef} - h_{ef,min}$.
- Use as supplied by the manufacturer without replacing individual parts.
- Drilling of hole only by hammer drilling (use of vacuum drill bits is admissible)

Highload Anchor SZ

Intended use
Specification of intended use

Annex B1

Installation instructions

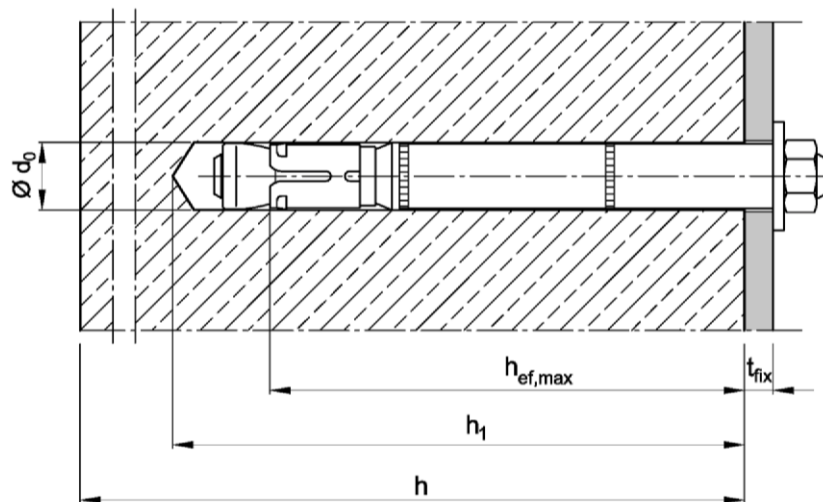
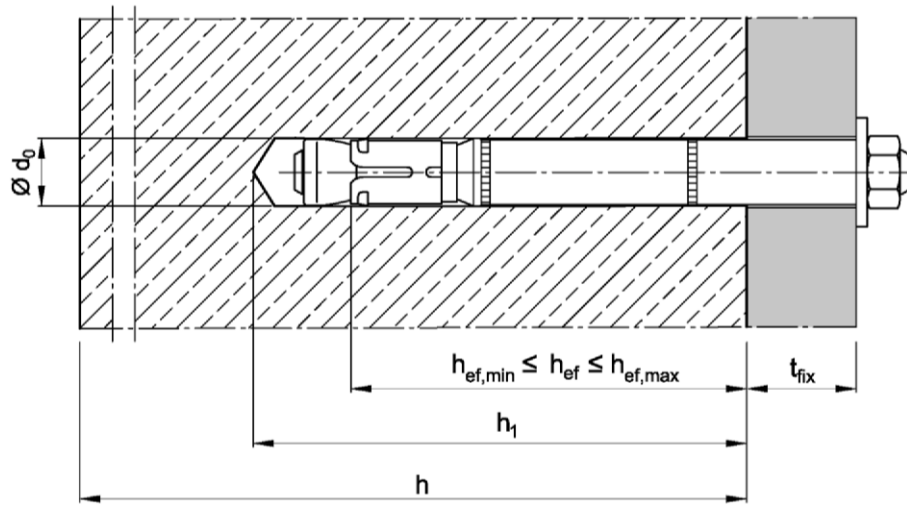
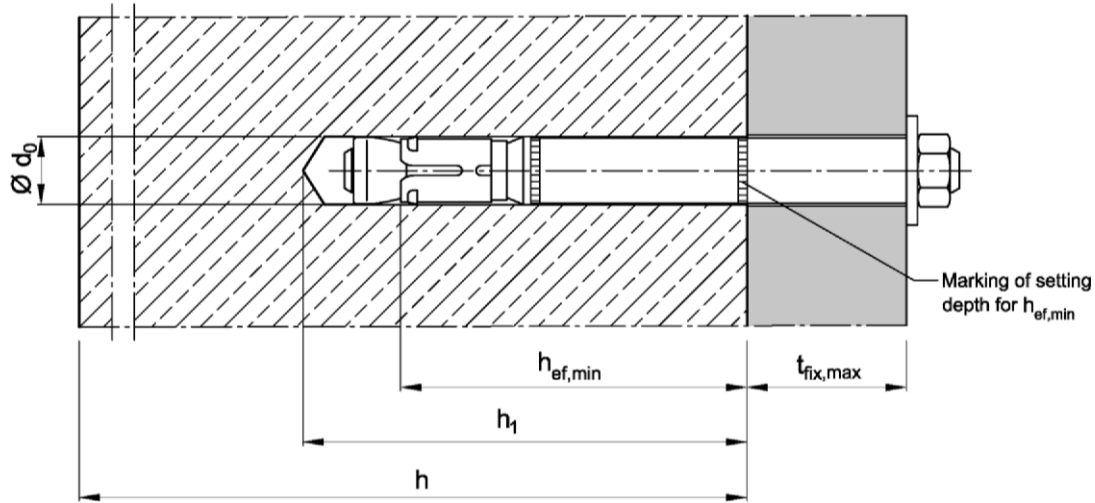
1		<p>Drill hole perpendicular to concrete surface. If using a vacuum drill bit, proceed with step 3.</p>
2		<p>Blow out dust. Alternatively vacuum clean down to the bottom of the hole.</p>
3		<p>Drive in fastener.</p>
4		<p>Apply installation torque T_{inst} by using calibrated torque wrench.</p>

Highload Anchor SZ

Intended use
Installation instructions

Annex B2

Installation situation



Highload Anchor SZ

Intended use
Installation situation

Annex B3

Table B1: Installation parameters, steel zinc plated

Fastener size		10/M6	12/M8	15/M10	18/M12	24/M16	24/ M16L	28/M20	32/M24
Size of thread	[-]	M6	M8	M10	M12	M16	M16	M20	M24
Minimum effective anchorage depth	$h_{ef,min}$ [mm]	50	60	71	80	100	115	125	150
Maximum effective anchorage depth	$h_{ef,max}$ [mm]	76	100	110	130	114	150	185	210
Nominal diameter of drill bit	$d_0 =$ [mm]	10	12	15	18	24	24	28	32
Cutting diameter of drill bit	$d_{cut} \leq$ [mm]	10,45	12,5	15,5	18,5	24,55	24,55	28,55	32,7
Depth of drill hole	$h_1 \geq$ [mm]	$h_{ef} + 15$	$h_{ef} + 20$	$h_{ef} + 25$	$h_{ef} + 25$	$h_{ef} + 30$	$h_{ef} + 30$	$h_{ef} + 35$	$h_{ef} + 30$
Diameter of clearance hole in the fixture	$d_f \leq$ [mm]	12	14	17	20	26	26	31	35
Thickness of countersunk washer SZ-SK	t_{sk} [mm]	4	5	6	7	-	-	-	-
Minimum thickness of fixture SZ-SK	$t_{fix min}^{2)}$ [mm]	8	10	14	18	-	-	-	-
Installation torque	T_{inst} (SZ-B, SZ-S) [Nm]	15	30	50	80	160	160	280	280
	T_{inst} (SZ-SK) [Nm]	10	25	55	70	-	-	-	-
Minimum thickness of member	h_{min} [mm]	$h_{ef} + 50$	$h_{ef} + 60$	$h_{ef} + 69$	$h_{ef} + 80$	$h_{ef} + 100$	$h_{ef} + 115$	$h_{ef} + 125$	$h_{ef} + 150$
Minimum spacing ^{1) 3)} cracked concrete	s_{min} [mm]	50	50	60	70	100	100	125	150
	for $c \geq$ [mm]	50	80	120	140	180	180	300	300
Minimum edge distance ^{1) 3)} cracked concrete	c_{min} [mm]	50	55	60	70	100	100	180	150
	for $s \geq$ [mm]	50	100	120	160	220	220	540	300
Minimum spacing ^{1) 3)} uncracked concrete	s_{min} [mm]	50	60	60	70	100	100	125	150
	for $c \geq$ [mm]	80	100	120	140	180	180	300	300
Minimum edge distance ^{1) 3)} uncracked concrete	c_{min} [mm]	50	60	60	70	100	100	180	150
	for $s \geq$ [mm]	100	120	120	160	220	220	540	300

¹⁾ Intermediate values by linear interpolation

²⁾ Depending on the existing shear load, the thickness of the fixture may be reduced to the thickness of the countersunk washer t_{sk} (see Annex A2). It must be verified that the present shear load can be transferred completely into the distance sleeve (bearing of hole).

³⁾ For fire exposure from more than one side $c \geq 300$ mm or $c_{min} \geq 300$ mm applies.

Highload Anchor SZ

Intended use
Installation parameters, **steel zinc plated**

Annex B4

Table B2: Installation parameters, stainless steel A4

Fastener size		12/M8	15/M10	18/M12	24/M16
Size of thread	[-]	M8	M10	M12	M16
Minimum effective anchorage depth	$h_{ef,min}$ [mm]	60	71	80	100
Maximum effective anchorage depth	$h_{ef,max}$ [mm]	100	110	130	150
Nominal diameter of drill bit	$d_0 =$ [mm]	12	15	18	24
Cutting diameter of drill bit	$d_{cut} \leq$ [mm]	12,5	15,5	18,5	24,55
Depth of drill hole	$h_1 \geq$ [mm]	$h_{ef} + 20$	$h_{ef} + 25$	$h_{ef} + 25$	$h_{ef} + 30$
Diameter of clearance hole in the fixture	$d_f \leq$ [mm]	14	17	20	26
Thickness of countersunk washer SZ-SK	t_{sk} [mm]	5	6	7	-
Minimum thickness of fixture SZ-SK	$t_{fix min}^{2)}$ [mm]	10	14	18	-
Installation torque	T_{inst} (SZ-B) [Nm]	35	55	90	170
	T_{inst} (SZ-S) [Nm]	30	50	80	170
	T_{inst} (SZ-SK) [Nm]	17,5	42,5	50	-
Minimum thickness of member	h_{min} [mm]	$h_{ef} + 60$	$h_{ef} + 69$	$h_{ef} + 80$	$h_{ef} + 100$
Minimum spacing ^{1) 3)} cracked concrete	s_{min} [mm]	50	60	70	80
	for $c \geq$ [mm]	80	120	140	180
Minimum edge distance ^{1) 3)} cracked concrete	c_{min} [mm]	50	60	70	80
	for $s \geq$ [mm]	80	120	160	200
Minimum spacing ^{1) 3)} uncracked concrete	s_{min} [mm]	50	60	70	80
	for $c \geq$ [mm]	80	120	140	180
Minimum edge distance ^{1) 3)} uncracked concrete	c_{min} [mm]	50	85	70	180
	for $s \geq$ [mm]	80	185	160	80

¹⁾ Intermediate values by linear interpolation

²⁾ Depending on the existing shear load, the thickness of the fixture may be reduced to the thickness of the countersunk washer t_{sk} (see Annex A2). It must be verified that the present shear load can be transferred completely into the distance sleeve (bearing of hole).

³⁾ For fire exposure from more than one side $c \geq 300$ mm or $c_{min} \geq 300$ mm applies.

Highload Anchor SZ

Intended use
Installation parameters, **stainless steel A4**

Annex B5

Table C1: Characteristic values for **tension load, cracked concrete**, static or quasi-static action, **steel zinc plated**

Fastener size			10/M6	12/M8	15/M10	18/M12	24/M16	24/ M16L	28/M20	32/M24
Installation factor	γ_{inst}	[-]	1,0							
Steel failure										
Characteristic resistance	$N_{Rk,s}$	[kN]	16	29	46	67	126	126	196	282
Partial factor	γ_{Ms}	[-]	1,5							
Pull-out failure										
Characteristic resistance in cracked concrete C20/25	$N_{Rk,p}$	[kN]	5	12	16	25	36	44	50	65
Increasing factor for $N_{Rk,p}$	ψ_C	[-]	$\left(\frac{f_{ck}}{20}\right)^{0,5}$							
Concrete cone failure										
Minimum effective anchorage depth	$h_{ef,min}$	[mm]	50	60	71	80	100	115	125	150
Maximum effective anchorage depth	$h_{ef,max}$	[mm]	76	100	110	130	114	150	185	210
Factor for cracked concrete	$k_1 = k_{cr,N}$	[-]	7,7							

Highload Anchor SZ

Performance

Characteristic values for **tension load, cracked concrete**, static or quasi-static action, **steel zinc plated**

Annex C1

Table C2: Characteristic values for **tension load, cracked concrete**, static or quasi-static action, **stainless steel A4**

Fastener size			12/M8	15/M10	18/M12	24/M16
Installation factor	γ_{inst}	[-]	1,0			
Steel failure						
SZ-B						
Characteristic resistance	$N_{Rk,s}$	[kN]	26	41	60	110
Partial factor	γ_{Ms}	[-]	1,5			
SZ-S and SZ-SK						
Characteristic resistance	$N_{Rk,s}$	[kN]	26	41	60	110
Partial factor	γ_{Ms}	[-]	1,87			
Pull-out failure						
Characteristic resistance in cracked concrete C20/25	$N_{Rk,p}$	[kN]	9	16	25	36
Increasing factor for $N_{Rk,p}$	ψ_C	[-]	$\left(\frac{f_{ck}}{20}\right)^{0,5}$			
Concrete cone failure						
Minimum effective anchorage depth	$h_{ef,min}$	[mm]	60	71	80	100
Maximum effective anchorage depth	$h_{ef,max}$	[mm]	100	110	130	150
Factor for cracked concrete	$k_1 = k_{cr,N}$	[-]	7,7			

Highload Anchor SZ

Performance

Characteristic values for **tension load, cracked concrete**, static or quasi-static action, **stainless steel A4**

Annex C2

Table C3: Characteristic values for tension load, uncracked concrete, static or quasi-static action, steel zinc plated

Fastener size			10/M6	12/M8	15/M10	18/M12	24/M16	24/ M16L	28/M20	32/M24	
Installation factor	γ_{inst}	[-]	1,0								
Steel failure											
Characteristic resistance	$N_{Rk,s}$	[kN]	16	29	46	67	126	126	196	282	
Partial factor	γ_{Ms}	[-]	1,5								
Pull-out failure											
Characteristic resistance in uncracked concrete C20/25	$N_{Rk,p}$	[kN]	17	20	30	36	50	1)	70	1)	
Increasing factor for $N_{Rk,p}$	ψ_C	[-]	$\left(\frac{f_{ck}}{20}\right)^{0,5}$					-	$\left(\frac{f_{ck}}{20}\right)^{0,5}$		
Splitting failure (The higher resistance of case 1 and case 2 may be applied)											
Case 1											
Characteristic resistance in uncracked concrete C20/25	$N^0_{Rk,sp}$	[kN]	12	16	25	30	40	70	50	70	
Edge distance	$C_{cr,sp}$	[mm]	1,5 h_{ef}								
Increasing factor for $N^0_{Rk,sp}$	ψ_C	[-]	$\left(\frac{f_{ck}}{20}\right)^{0,5}$								
Case 2											
Characteristic resistance in uncracked concrete	$N^0_{Rk,sp}$	[kN]	$\min(N_{Rk,p}; N^0_{Rk,c})$								
Edge distance	$C_{cr,sp}$	[mm]	2,5 h_{ef}					1,5 h_{ef}	2,5 h_{ef}	2 h_{ef}	
Concrete cone failure											
Minimum effective anchorage depth	$h_{ef,min}$	[mm]	50	60	71	80	100	115	125	150	
Maximum effective anchorage depth	$h_{ef,max}$	[mm]	76	100	110	130	114	150	185	210	
Edge distance	$C_{cr,N}$	[mm]	1,5 h_{ef}								
Factor for uncracked concrete	$k_1 = k_{ucr,N}$	[-]	11,0								

1) $N_{Rk,p} = N^0_{Rk,c}$ calculated with $h_{ef,min}$

Highload Anchor SZ

Performance

Characteristic values for **tension load, uncracked concrete**, static or quasi-static action, **steel zinc plated**

Annex C3

Table C4: Characteristic values for **tension load, uncracked concrete**, static or quasi-static action, **stainless steel A4**

Fastener size			12/M8	15/M10	18/M12	24/M16
Installation factor	γ_{inst}	[-]	1,0			
Steel failure						
SZ-B						
Characteristic resistance	$N_{Rk,s}$	[kN]	26	41	60	110
Partial factor	γ_{Ms}	[-]	1,5			
SZ-S and SZ-SK						
Characteristic resistance	$N_{Rk,s}$	[kN]	26	41	60	110
Partial factor	γ_{Ms}	[-]	1,87			
Pull-out failure						
Characteristic resistance in uncracked concrete C20/25	$N_{Rk,p}$	[kN]	16	25	35	50
Increasing factor for $N_{Rk,p}$	ψ_c	[-]	$\left(\frac{f_{ck}}{20}\right)^{0,5}$			
Splitting failure						
Edge distance	$c_{cr,sp}$	[mm]	180	235	265	300
Concrete cone failure						
Minimum effective anchorage depth	$h_{ef,min}$	[mm]	60	71	80	100
Maximum effective anchorage depth	$h_{ef,max}$	[mm]	100	110	130	150
Edge distance	$c_{cr,N}$	[mm]	1,5 h_{ef}			
Factor for uncracked concrete	$k_1 = k_{Ucr,N}$	[-]	11,0			

Highload Anchor SZ

Performance

Characteristic values for **tension loads, uncracked concrete**, static or quasi-static action, **stainless steel A4**

Annex C4

Table C5: Characteristic values of **shear load**, static or quasi-static action, **steel zinc plated**

Fastener size			10/M6	12/M8	15/M10	18/M12	24/M16	24/ M16L	28/M20	32/M24
Steel failure without lever arm										
SZ-B										
Characteristic resistance	$V_{Rk,s}^0$	[kN]	16	25	36	63	91	91	122	200
Ductility factor	k_7	[-]	1,0							
SZ-S and SZ-SK										
Characteristic resistance	$V_{Rk,s}^0$	[kN]	18	30	48	73	126	126	150	200
Ductility factor	k_7	[-]	1,0							
Partial factor	γ_{Ms}	[-]	1,25							
Steel failure with lever arm										
Characteristic resistance	$M_{Rk,s}^0$	[Nm]	12	30	60	105	266	266	519	898
Partial factor	γ_{Ms}	[-]	1,25							
Concrete pry-out failure										
Pry-out factor	k_8	[-]	1,8 ¹⁾	2,0						
Concrete edge failure										
Effective length of fastener in shear loading	l_f	[mm]	h_{ef}							
Outside diameter of fastener	d_{nom}	[mm]	10	12	15	18	24	24	28	32

¹⁾ $k_8 = 2,0$ for $h_{ef} \geq 60$ mm

Highload Anchor SZ

Performance
Characteristic values for **shear load**, static or quasi-static action, **steel zinc plated**

Annex C5

Table C6: Characteristic values for **shear load**, static or quasi-static action, **stainless steel A4**

Fastener size			12/M8	15/M10	18/M12	24/M16
Steel failure without lever arm						
Characteristic resistance	$V^{0}_{Rk,s}$	[kN]	24	37	62	92
SZ-B						
Ductility factor	k_7	[-]	1,0			
Partial factor	γ_{Ms}	[-]	1,25			
SZ-S						
Ductility factor	k_7	[-]	1,0			
Partial factor	γ_{Ms}	[-]	1,36			
SZ-SK						
Ductility factor	k_7	[-]	0,8			-
Partial factor	γ_{Ms}	[-]	1,36			-
Steel failure with lever arm						
Characteristic bending resistance	$M^{0}_{Rk,s}$	[Nm]	26	52	92	232
SZ-B						
Partial factor	γ_{Ms}	[-]	1,25			
SZ-S and SZ-SK						
Partial factor	γ_{Ms}	[-]	1,56			
Concrete pry-out failure						
Pry-out factor	k_8	[-]	2,0			
Concrete edge failure						
Effective length of fastener in shear loading	l_f	[mm]	h_{ef}			
Outside diameter of fastener	d_{nom}	[mm]	12	15	18	24

Highload Anchor SZ

Performance

Characteristic values for **shear load**, static or quasi-static action, **stainless steel A4**

Annex C6

Table C7: Characteristic values for **seismic action, Category C1 and C2, steel zinc plated**

Fastener size			12/M8	15/M10	18/M12	24/M16	24/M16L	28/M20	32/M24
Tension load									
Installation factor	γ_{inst}	[-]	1,0						
Steel failure									
Characteristic resistance category C1	$N_{Rk,s,eq,C1}$	[kN]	29	46	67	126	126	196	280
Characteristic resistance category C2	$N_{Rk,s,eq,C2}$	[kN]	29	46	67	126	126	196	280
Partial factor	γ_{Ms}	[-]	1,5						
Pull-out failure									
Characteristic resistance category C1	$N_{Rk,p,eq,C1}$	[kN]	12	16	25	36	44,4	50,3	63,3
Characteristic resistance category C2	$N_{Rk,p,eq,C2}$	[kN]	5,4	16,4	22,6	29,0	41,2	43,6	63,3
Shear load									
Steel failure without lever arm									
SZ-B									
Characteristic resistance category C1	$V_{Rk,s,eq,C1}$	[kN]	18,0	27,1	43,4	51,9	51,9	96,4	160,1
Characteristic resistance category C2	$V_{Rk,s,eq,C2}$	[kN]	12,7	20,5	31,5	50,1	50,1	67,1	108,1
SZ-S									
Characteristic resistance category C1	$V_{Rk,s,eq,C1}$	[kN]	18,0	27,1	43,4	51,9	51,9	96,4	160,1
Characteristic resistance category C2	$V_{Rk,s,eq,C2}$	[kN]	12,7	20,5	31,5	69,3	69,3	67,1	108,1
SZ-SK									
Characteristic resistance category C1	$V_{Rk,s,eq,C1}$	[kN]	25,2	36,5	50,4	-	-	-	-
Characteristic resistance category C2	$V_{Rk,s,eq,C2}$	[kN]	19,2	29,3	39,4	-	-	-	-
Factor for annular gap	α_{gap}	[-]	0,5						
Partial factor	γ_{Ms}	[-]	1,25						

Highload Anchor SZ

Performance
Characteristic values for **seismic action, steel zinc plated**

Annex C7

Table C8: Characteristic values for seismic action, Category C1 and C2, stainless steel A4

Fastener size			12/M8	15/M10	18/M12	24/M16
Tension load						
Installation factor	γ_{inst}	[-]	1,0			
Steel failure						
Characteristic resistance, category C1	$N_{Rk,s,eq,C1}$	[kN]	26	41	60	110
Characteristic resistance, category C2	$N_{Rk,s,eq,C2}$	[kN]	26	41	60	110
Partial factor SZ-B	γ_{Ms}	[-]	1,5			
Partial factor SZ-S and SZ-SK	γ_{Ms}	[-]	1,87			
Pull-out failure						
Characteristic resistance, category C1	$N_{Rk,p,eq,C1}$	[kN]	9	16	26	36
Characteristic resistance, category C2	$N_{Rk,p,eq,C2}$	[kN]	4,8	16,5	24,8	44,5
Shear load						
Steel failure without lever arm						
SZ-B						
Characteristic resistance, category C1	$V_{Rk,s,eq,C1}$	[kN]	9,6	13,3	25,4	75,4
Characteristic resistance, category C2	$V_{Rk,s,eq,C2}$	[kN]	9,7	14,0	18,0	32,2
Partial factor	γ_{Ms}	[-]	1,25			
SZ-S						
Characteristic resistance, category C1	$V_{Rk,s,eq,C1}$	[kN]	9,6	13,3	25,4	75,4
Characteristic resistance, category C2	$V_{Rk,s,eq,C2}$	[kN]	9,7	14,0	18,0	32,2
Partial factor	γ_{Ms}	[-]	1,36			
SZ-SK						
Characteristic resistance, category C1	$V_{Rk,s,eq,C1}$	[kN]	11,5	23,3	31,6	-
Characteristic resistance, category C2	$V_{Rk,s,eq,C2}$	[kN]	10,8	17,4	15,4	-
Partial factor	γ_{Ms}	[-]	1,36			

Highload Anchor SZ

Performance
Characteristic values for seismic action, stainless steel A4

Annex C8

Table C9: Characteristic values under **fire exposure** in cracked and uncracked concrete C20/25 to C50/60

Fastener size		10/M6	12/M8	15/M10	18/M12	24/M16	24/ M16L	28/M20	32/M24	
Tension load										
Steel failure										
Steel zinc plated										
Characteristic resistance	R30	$N_{Rk,s,fi}$ [kN]	1,0	1,9	4,3	6,3	11,6	18,3	26,3	
	R60		0,8	1,5	3,2	4,6	8,6	13,5	19,5	
	R90		0,6	1,0	2,1	3,0	5,0	7,7	12,6	
	R120		0,4	0,8	1,5	2,0	3,1	4,9	9,2	
Stainless steel A4										
Characteristic resistance	R30	$N_{Rk,s,fi}$ [kN]	-	6,1	10,2	15,7	29,2	-	-	-
	R60		-	4,4	7,3	11,1	20,6	-	-	-
	R90		-	2,6	4,3	6,4	12,0	-	-	-
	R120		-	1,8	2,8	4,1	7,7	-	-	-
Shear load										
Steel failure without lever arm										
Steel zinc plated										
Characteristic resistance	R30	$V_{Rk,s,fi}$ [kN]	1,0	1,9	4,3	6,3	11,6	18,3	26,3	
	R60		0,8	1,5	3,2	4,6	8,6	13,5	19,5	
	R90		0,6	1,0	2,1	3,0	5,0	7,7	12,6	
	R120		0,4	0,8	1,5	2,0	3,1	4,9	9,2	
Stainless steel A4										
Characteristic resistance	R30	$V_{Rk,s,fi}$ [kN]	-	14,3	22,7	32,8	61,0	-	-	-
	R60		-	11,1	17,6	25,5	47,5	-	-	-
	R90		-	7,9	12,6	18,3	34,0	-	-	-
	R120		-	6,3	10,0	14,6	27,2	-	-	-
Steel failure with lever arm										
Steel zinc plated										
Characteristic bending resistance	R30	$M^0_{Rk,s,fi}$ [Nm]	0,8	2,0	5,6	9,7	24,8	42,4	83,6	
	R60		0,6	1,5	4,1	7,2	18,3	29,8	61,9	
	R90		0,4	1,0	2,7	4,7	11,9	17,1	40,1	
	R120		0,3	0,8	1,9	3,1	6,6	10,7	29,2	
Stainless steel A4										
Characteristic bending resistance	R30	$M^0_{Rk,s,fi}$ [Nm]	-	6,2	13,2	24,4	61,8	-	-	-
	R60		-	4,5	9,4	17,2	43,6	-	-	-
	R90		-	2,7	5,6	10,0	25,3	-	-	-
	R120		-	1,8	3,6	6,4	16,2	-	-	-

If pull-out is not decisive in equation D.4 and D.5, FprEN 1992-4:2016 $N_{Rk,p}$ must be replaced by $N^0_{Rk,c}$.

Highload Anchor SZ

Performance
Characteristic values under **fire exposure**

Annex C9

Table C10: Displacements under tension and shear load, steel zinc plated

Fastener size			10/ M6	12/ M8	15/ M10	18/ M12	24/ M16	24 /M16L	28/ M20	32/ M24
Tension load										
Tension load in cracked concrete	N	[kN]	2,4	5,7	7,6	12,3	17,1	21,1	24	26,2
Displacement	δ_{N0}	[mm]	0,5	0,5	0,5	0,7	0,8	0,7	0,9	1,4
	$\delta_{N\infty}$	[mm]	2,0	2,0	1,3	1,3	1,3	1,3	1,4	1,9
Tension load in uncracked concrete	N	[kN]	8,5	9,5	14,3	17,2	24	29,6	34	43
Displacement	δ_{N0}	[mm]	0,8	1,0		1,1		1,3	0,3	0,7
	$\delta_{N\infty}$	[mm]	3,4			1,7		2,3	1,4	0,7
Seismic action C2										
Displacement for DLS	$\delta_{N,eq}$ (DLS)	[mm]	-	3,3	3,0	5,0	3,0	3,0	4,0	5,3
Displacement for ULS	$\delta_{N,eq}$ (ULS)	[mm]	-	12,2	11,3	16,0	9,2	9,2	13,8	12,4
Shear load										
SZ-B										
Shear load in cracked and uncracked concrete	V	[kN]	9,1	14	20,7	35,1	52,1	52,1	77	86,6
Displacement	δ_{V0}	[mm]	2,5	2,1	2,7	3,0	5,1	5,1	4,3	10,5
	$\delta_{V\infty}$	[mm]	3,8	3,1	4,1	4,5	7,6	7,6	6,5	15,8
Seismic action C2										
Displacement for DLS	$\delta_{V,eq}$ (DLS)	[mm]	-	2,3	3,1	3,0	2,6	2,6	1,6	6,1
Displacement for ULS	$\delta_{V,eq}$ (ULS)	[mm]	-	4,8	6,4	6,1	6,6	6,6	4,8	9,5
SZ-S										
Shear load in cracked and uncracked concrete	V	[kN]	10,1	17,1	27,5	41,5	72	72	77	86,6
Displacement	δ_{V0}	[mm]	2,9	2,5	3,6	3,5	7,0	7,0	4,3	10,5
	$\delta_{V\infty}$	[mm]	4,4	3,8	5,4	5,3	10,5	10,5	6,5	15,8
Seismic action C2										
Displacement for DLS	$\delta_{V,eq}$ (DLS)	[mm]	-	2,3	3,1	3,0	3,3	3,3	1,6	6,1
Displacement for ULS	$\delta_{V,eq}$ (ULS)	[mm]	-	4,8	6,4	6,1	8,2	8,2	4,8	9,5
SZ-SK										
Shear load in cracked and uncracked concrete	V	[kN]	10,1	17,1	27,5	41,5	-	-	-	-
Displacement	δ_{V0}	[mm]	2,9	2,5	3,6	3,5	-	-	-	-
	$\delta_{V\infty}$	[mm]	4,4	3,8	5,4	5,3	-	-	-	-
Seismic action C2										
Displacement for DLS	$\delta_{V,eq}$ (DLS)	[mm]	-	3,1	3,9	3,9	-	-	-	-
Displacement for ULS	$\delta_{V,eq}$ (ULS)	[mm]	-	10,2	11,8	13,0	-	-	-	-

Highload Anchor SZ

Performance
Displacements under tension and shear load, steel zinc plated

Annex C10

Table C11: Displacements under tension and shear load, stainless steel A4

Fastener size		12/M8	15/M10	18/M12	24/M16	
Tension load						
Tension load in cracked concrete	N	[kN]	4,3	7,6	12,1	17,0
Displacement	δ_{N0}	[mm]	0,5	0,5	1,3	0,5
	$\delta_{N\infty}$	[mm]	1,2	1,6	1,8	1,6
Tension load in uncracked concrete	N	[kN]	7,6	11,9	16,7	24,1
Displacement	δ_{N0}	[mm]	0,2	0,3	1,2	1,5
	$\delta_{N\infty}$	[mm]	1,1	1,1	1,1	1,1
Seismic action C2						
Displacement for DLS	$\delta_{N,eq (DLS)}$	[mm]	4,7	4,5	4,3	4,9
Displacement for ULS	$\delta_{N,eq (ULS)}$	[mm]	13,3	12,7	9,7	10,1
Shear load						
Shear load in cracked concrete	V	[kN]	13,9	21,1	34,7	50,8
Displacement	δ_{V0}	[mm]	3,4	4,9	4,8	6,7
	$\delta_{V\infty}$	[mm]	5,1	7,4	7,1	10,1
Seismic action C2						
SZ-B, SZ-S						
Displacement for DLS	$\delta_{V,eq (DLS)}$	[mm]	2,8	3,1	2,6	3,3
Displacement for ULS	$\delta_{V,eq (ULS)}$	[mm]	5,6	5,8	5,0	6,9
SZ-SK						
Displacement for DLS	$\delta_{V,eq (DLS)}$	[mm]	2,5	2,8	2,9	-
Displacement for ULS	$\delta_{V,eq (ULS)}$	[mm]	5,8	5,9	6,9	-

Highload Anchor SZ

Performance
Displacements under tension and shear load, stainless steel A4

Annex C11